

SILKTEK™

Curved Composite Material

CUSTOM CANOPY CLADDING

From Concept to Completion!

SilkTek Curved Composite Material (CCM) surpasses traditional exterior cladding products like Aluminum Composite Material (ACM) in functionality, aesthetics, and durability. SilkTek can be formed into virtually any shape, size, and color, including translucent. SilkTek offers superior strength to weight ratio, and can be engineered to far exceed building codes for weight bearing and wind loading.



- Seamless curvilinear body lines with integrated LED and signage
- Tremendous savings on installation and long term maintenance
- Stunning facility differentiation and brand recognition



"Fast tracking this re-imaging program allowed realization of industry leading throughputs, with annual gasoline sales from re-imaged sites within the Company's network now averaging over 6.8 million litres per site."

Petro Canada Annual Report to Shareholders, 2004

The Company extended the re-imaging program to independent retailers and nearly 60% of these retailers chose to participate.

Petro Canada Annual Report to Shareholders, 2004

"This product has substantially reduced the time it takes to remodel, by at least 50%"

Roman Anisimovcz, Senior Staff Engineer, Husky Petroleum / REINFORCED PLASTICS Apr/07

FORMASHAPE™

3D Architectural Design Solutions

9505 Haldane Rd. Kelowna, British Columbia, Canada, V4V 2K5

1.800.882.7638 www.formashape.com

(SEE SHT2)

SILKTEK™

Curved Composite Material

CANOPY CLADDING KITS

Re-Imaging Solutions!



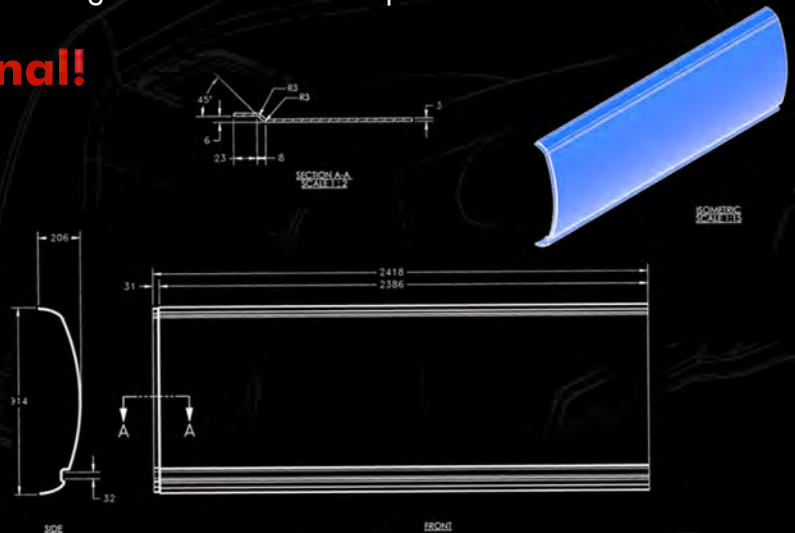
Does your facility stand out in the crowd of signs and competitors?

Is canopy image important to your traffic flow and customer loyalty?

Our clients have achieved significant growth in throughput and brand recognition as a result of re-imaging with our innovative and eye catching SilkTek Curved Composite Material.

Canopy Cladding Kit, LED optional!

- Nested Crating and Engineered Attachments
- Low Cost Shipping
- Rapid Installation



Available in Four Weeks - Unlimited Color Selection

CCM Benefits:

- ✓ Curved Corners and 3D Convex Face
- ✓ Integrated LED Channel (LED optional)
- ✓ 10 year no fade warranty
- ✓ Unlimited Custom Colors
- ✓ Rapid Installation
- ✓ Easier maintenance vs. aluminum



FORMASHAPE™

3D Architectural Design Solutions

9505 Haldane Rd. Kelowna, British Columbia, Canada, V4V 2K5

1.800.882.7638 www.formashape.com

1.5" O.D. PVC
90° ELBOW